

# MBF Series

Hand Pallet Truck • 1.0 – 2.5 tonnes

**MBF25**  
**MBF25G**  
**MBF25S**  
**MBF25B**  
**MBF25Q**  
**MJF10**

## Handy in size... strong in action

This versatile hand pallet truck series has been designed to work hard... so its operators don't have to. With its effortless handle and sturdy construction, it makes light work of transporting heavy loads over shuttle distances of up to 20 metres. A minimum of five easy strokes is all you need to reach a lift height of 200 millimetres. Even in the tightest of spaces, where floor loading and unloading can often be problematic, operation is smooth and efficient.

The compact model MBF25 provides excellent manoeuvrability in confined areas, such as within a lorry or in a small retail setting. To meet the needs of hygienic or corrosive applications, galvanised (MBFG) and stainless steel (MBFS) models are available – each built to a similarly high standard. The MBF25B model is equipped with a brake for enhanced safety. There is also the MJF10 high lift model, which offers loading or unloading at a convenient raised height. This truck can even be used as a workbench.

### Frame and body

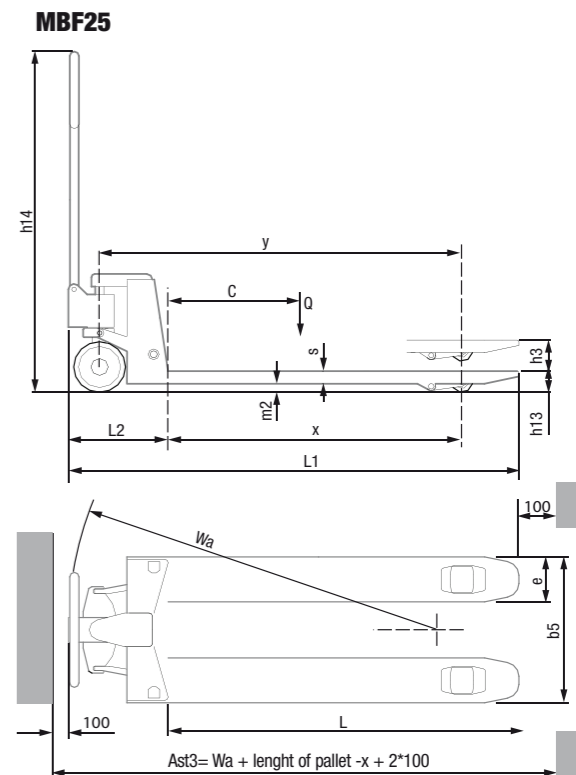
- **Strong chassis** gives operator confidence in any application.
- **Steel entry brackets** offer exceptional durability in all working conditions.
- **Low centre of gravity** adds further stability, for safer operation.
- **Compact design** combined with a 210-degree steering angle gives maximum manoeuvrability.
- **Enhanced lateral stability** on the MJF10 high lift model enhances safety when working with raised loads.



# MBF Series

## Hand Pallet Truck • 1.0 – 2.5 tonnes

Characteristics							
1.1	Manufacturer		Mitsubishi	Mitsubishi	Mitsubishi	Mitsubishi	Mitsubishi
1.2	Manufacturer's model designation		MBF1150	MBF1220	MBFG'	MBFS'	MJF'
1.4	Operator type		Pedestrian	Pedestrian	Pedestrian	Pedestrian	Pedestrian
1.5	Load capacity	Q (t)	2.5	2.5	2.5	2.5	1.0
1.6	Load center distance	c (mm)	600	600	600	600	500
1.8	Load wheel axle to fork face (forks lowered)	x (mm)	883	953	883	883	993
1.9	Wheelbase	y (mm)	1190	1260	1190	1190	1231
Weight							
2.1	Truck weight	kg	65 *) - 80	80	65 *) - 80	65 *) - 80	100
Wheels, chassis							
3.1	Tyres (P= polyurethane, N=Nylon, R=Rubber)		P,N,R	P,N,R	P,N,R	P,N,R	P,N,R
3.2	Tyre dimensions, drive side	∅ (mm)	200	200	200	200	180x50
3.3	Tyre dimensions, load side	∅ (mm)	80	80	80	80	74x50
3.5	Number of wheels, drive/load side (x=driven)		1/2x1 - 1/2x2	1/2x1 - 1/2x2	1/2x1 - 1/2x2	1/2x1 - 1/2x2	1/2x1
3.6	Track width (center of tyres), drive side	b10 (mm)	109	109	109	109	138
3.7	Track width (center of tyres), load side	b11 (mm)	370	370	370	370	430/460/595
Dimensions							
4.4	Lift height	h3 (mm)	115	115	115	115	715
4.9	Height of Tiller Arm (min./max.)	h14 (mm)	1224	1224	1224	1224	1225
4.15	Fork height, fully lowered	h13 (mm)	85	85	85	85	85
4.19	Overall length	l1 (mm)	1533/1603	1533/1603	1533/1603	1533/1603	1515
4.20	Length to fork face	l2 (mm)	384	384	384	384	365
4.21	Overall width	b1/b2 (mm)	520/685	685	520/550/685	520/550/685	520/550/685
4.22	Fork dimensions (thickness, width, length)	s/e/l (mm)	45/160/1150	45/160/1220	45/160/1150	45/160/1150	45/160/1150
4.25	Outside width over forks (minimum/maximum)	b5 (mm)	520/685	520/685	520/550/685	520/550/685	520/550/685
4.32	Ground clearance at center of wheelbase, (forks lowered)	m2 (mm)	40	40	40	40	17.5
4.33b	Working aisle width (1000 x1200) crosswise	Ast3 (mm)	1516	1517	1516	1517	1567
4.34b	Working aisle width (1200 x 800) lengthwise	Ast3 (mm)	1716	1717	1716	1717	1767
4.35	Turning circle radius	Wa (mm)	1266	1336	1266	1266	1360



\*) Fork length 1150 mm, width over forks 520 mm

- 1 Galvanized
- 2 Stainless Steel
- 3 High Lift



Standard model part codes	Fork dimensions	Front rollers	Steering wheel
MBF25MNSN	520 x 1150	2x Single, N	Nylon
MBF25MNTN	520 x 1150	4x Tandem, N	Nylon
MBF25MPSP	520 x 1150	2x Single, P	Polyurethane
MBF25MPTP	520 x 1150	4x Tandem, P	Polyurethane
MBF25HNSN	685 x 1150	2x Single, N	Nylon
MBF25HNTN	685 x 1150	4x Tandem, N	Nylon
MBF25HPSP	685 x 1150	2x Single, P	Polyurethane
MBF25HPTP	685 x 1150	4x Tandem, P	Polyurethane
MBF25JNSN	685 x 1220	2x Single, N	Nylon
MBF25JNTN	685 x 1220	4x Tandem, N	Nylon
MBF25JPSP	685 x 1220	2x Single, P	Polyurethane
MBF25JPTP	685 x 1220	4x Tandem, P	Polyurethane



Controlled lowering valve



Smooth wheels



Ergonomic rubber handle

### Forks

- **C-channel fork design** is reinforced to resist twisting and cracking under heavy loads.
- **Sturdy fork design** with welded construction gives extra strength and durability.
- **Tapered, upturned fork tips** ensure smooth pallet entry and exit, and make it easier to enter the pallet at an angle.

### Hydraulics

- **Single cast pump** ensures controlled lifting and lowering speeds, for longer service life.
- **Bypass valve** minimises risk of overloading.
- **Lowering valve** restricts the rate of descent, to prevent load damage.
- **Leak-proof hydraulic system** reduces need for unplanned maintenance.

### Operator environment and controls

- **Ergonomic rubber handle** offers comfort, safety and high productivity.
- **Three-position lever** automatically returns to a neutral setting when not in use, to reduce operator fatigue.
- **Extra lift in the MJF10 model** ensures convenient height of pallets – helping to avoid the risk of back injury.

### Other features

- **Well-placed lubrication points** on all movable parts allow for easy maintenance and a long truck life.

### Options

- **Ergonomic nylon and rubber steering wheel**
- **Tandem load wheels**
- **Choice of drive and load wheels for different applications**
- **Quick lift function**
- **Brake**
- **Galvanised and stainless steel versions to suit specialist environments**
- **Wide variety of fork dimensions**



MBF25

when **reliability** is **everything...**

Like any product bearing the Mitsubishi name, our materials handling equipment benefits from the huge resources and cutting-edge technology of one of the world's largest corporations. So when we promise you **quality**, **reliability** and **value for money**, you know it's a guarantee we have the power to deliver.

Every model in our comprehensive, award-winning range of forklift trucks and warehouse equipment is built to a high specification and is designed to keep on working for you... day after day... year after year... whatever the job... whatever the conditions.

To ensure your truck stays in constant productive action, we have a network of local dealers – hand-picked for their commitment to customer care... and backed up by the Mitsubishi Forklift Trucks organisation. No matter where you are, we have a dealer close by – ready and willing to meet your needs.

That friendly local service covers everything from identifying the perfect model and configuration for your application to providing competitive, flexible finance and maintenance packages, unbeatable warranties, long and short term hire, and highly responsive field service and repairs... as well as the industry's quickest and most reliable parts supply.

Only Mitsubishi can give you this combination of global engineering excellence and outstanding local support... only Mitsubishi offers you such a quality product at such an affordable price... and only Mitsubishi places reliability as high as you do in its priorities. Contact your local dealer now and see what Mitsubishi can do for you.

You can find your nearest dealer at [www.mitforklift.com](http://www.mitforklift.com)



WEGM1328 (07/10)  
© 2010 MCFE  
Printed in The Netherlands

[mitforklift@mcf.nl](mailto:mitforklift@mcf.nl) [www.mitforklift.com](http://www.mitforklift.com)

NOTE: Performance specifications may vary depending on standard manufacturing tolerances, vehicle condition, types of tyres, floor or surface conditions, applications or operating environment. Trucks may be shown with non-standard options. Specific performance requirements and locally available configurations should be discussed with your distributor of Mitsubishi forklift trucks. Mitsubishi follows a policy of continual product improvement. For this reason, some materials, options and specifications could change without notice.